



Pine Shavings



PineyWoods Chapter #51 Texas Society of Sons of the American Revolution



Chapter members and Friends,

This is my last meeting as your PineyWoods. Wow, it does not seem possible that two years have come and gone. We have had some memorable meetings and speakers during the last two years. I have met many new members and enjoyed the opportunity to make new friends. My love of Genealogy and Patriotism have allowed me to be a part of this fine organization. I can truly say it has been fantastic and a whole lot of fun. Our Chapter has grown significantly in the last two years. As we enter into a new administration, I am confident that Kermit and the other new officers will do a wonderful job. We have a couple of members who are having health issues; Kim and Chuck, please remember them in your prayers.



Our speaker for March will be Mark Sciala. Mark spoke to our chapter in May 2018. Unfortunately, we had a number of absences; *but fortunately*, Mark has generously agreed to be our presenter again. I am most looking forward to seeing everyone on March 16th at Jimmy G's. And, remember we want to have a group picture taken for our website so those of you serving as officers the next terms, *please wear a jacker and tie!*

Jim Pinkerton



March Scalia
Kingwood High School
2017 Texas Society American History Teacher on the Year

Mr. Scalia will be our March Guest Presenter and will discuss 'American History in Schools Today.' If you are interested in the teaching of American History in our schools today, you must come!

PineyWoods Chap 51 Meeting March 16, 2019

Jimmy G's,
307 N. Sam Houston E. Parkway,
Greenspoint
12:30 p.m.

RSVP for the Meeting

Please respond with the number of people attending and names by Thursday before the meeting date.

RSVP to Larry Stevens
wardtracker@aol.com or
281 361-2061



PineyWoods Chapter Officers

President Jim Pinkerton jpnd97@embarqmail.com

1st Vice President Larry Stevens wardtracker@aol.com

Secretary Kermit Breed breedkermit@aol.com

Treasurer John C. Beard Johnbeard@suddenlink.net

Chancellor Brent Montelone
bmontelone@embarqmail.com

Genealogist Kim Morton genmorton@usa.net

Registrars

Larry Stevens—wardtracker@aol.com

Kermit Breed breedkermit@aol.com

Joe Potter potterj1@mac.com

Historian Vacant

Chaplain Cannon Pritchard cannon1@livingston.net

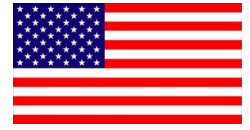
Sgt. at Arms Ben Baskin bcbaskin@comquest.com

Newsletter Editor Larry Stevens wardtracker@aol.com

Web Master Ray Cox coxmr47@gmail.com

Calendar of Events

National Events



**NSSAR Conf.
on the Amer.**

**Rev. June 14-16, 2019—
Philadelphia**

**NSSAR Congress—July 5-12, 2019,
Hilton Costa Mesa, Orange County,
California**

State Events -



TXSSAR Annual

**Meeting: April 5-8,
2019 at the Omni, Austin**

Chapter Events

Chapter Meeting-Jimmy G's

Mar. 16, 2019

Apr. 20, 2019

Official Newsletter

PineyWoods Chapter #51 Texas Society,

Sons of the American Revolution

P. O. Box 6524, Kingwood, TX 77325

www.txssar.org/PineyWoods

Editor—Larry Stevens

SAR DUES—The PineyWoods Chapter for 2019 has 85 Regular Member in good Standing. This is down 9 Regular Memberships from December 31, 2018, due to non-paid dues. If you have not paid for 2019, it is not to late. If you cannot find your invoice, please contact John Beard of Larry Stevens. contact John Beard, or Larry Stevens.



NYC March 17, 1762

On this day, in New York City, NOT Ireland, the first ever St. Patrick's Day was celebrated in Parade by Irish Soldiers in the British Army. St. Patrick, who was born in the late 4th Century is still recognized as the most successful



Christian missionaries in history. St. Patrick was Roman Christian. At the age of 16 he was captured by Irish raiders and carried off the Erin. After six years he escaped, returning to Britain were he became Catholic. He believed he had been called by God to Christianize Ireland were he returned in 432 and ministered until his death in 461 AD. His legacy was nearly all of Erin was Christian at the time of his death!

(pictured—Parade in Albany NY)

This Month in the American Revolution

March 22, 1765-Though a decade before the declaration of war against the king, the **Stamp Act and other Acts by Parliament** during this period caused dissention in the colonies. Great Britain was faced with an enormous debt following the French-Indian War (Seven Years War in Europe). Debt had almost doubled during the war. English citizens in Britain were heavily taxed. The Stamp Act called for taxes (stamps) on printed paper (newspapers, playing cards, court records & pleas, invoices etc.) Two days later Parliament passed yet another act which was also unpopular, the **Quartering Act**. The Quartering Act was passed as, “*An act for punishing mutiny and desertion, and for the better payment of the army and their quarters.*” The **Quartering Act** required the colonial assembly to provide for the basic needs of the soldiers stationed within its borders. It included in 1766 billeting soldiers in taverns and unoccupied houses. These acts were part of the Intolerable Acts.

March 5, 1779-On this date the **Boston Massacre** occurred occurred between a patriot mob and a squad of British soldiers. Five colonists were killed and six were wounded. The British soldiers were brought to trial and John Adams and Josiah Quincy II acted as their defense council. The soldiers were acquitted.

March 31, 1774—The passage of the **Boston Port Act** served to anger colonists who may not have been moved by earlier acts of Parliament. The act closed Boston Harbor with the justification, “*WHEREAS dangerous commotions and insurrections have been fomented and raided in the town of Boston, ... by divers ill affected persons, to the subversion of*

his Majesty’s government, and to the utter destruction of the publick peace, and good order of the said town; in which commotions and insurrections certain valuable cargoes of teas, ... were seized and destroyed ...”. So the Boston Tea Party of 1773 had repercussions further than expected. Other ports became worried that their liberties could also be taken.



March 17 1776— On **Saint Patrick’s Day**, British General William Howe evacuates Boston after a siege of nearly one year. Washington had placed cannons on Dorchester Heights putting the British at great disadvantage; so, British soldiers and civilians boarded ships and sailed to Nova Scotia not to return to Boston during the revolution.



PineyWoods Chapter Meeting Minutes February 16, 2019

Piney Wood #51 Secretary Kermit Breed

President Jim Pinkerton welcomed all at 12:30 PM. The invocation by Alan Bowman was followed by the pledge to the U.S. and Texas flags and the SAR pledge.

COMPATRIOTS PRESENT: Kermit Breed, John Worm, Bernie Kent, Jim Pinkerton, Joe Potter, Ben Baskin, Alan Bowman, Dick Setser, John Beard, Jerrel "Buddy" Inman, Brent Monteleone, John Kenton Thompson, David Cook, Abe Abdmoulaie, David Barges, Larry Stevens, Frank Muller, Ski Grumboski, Allan Henshaw and Ben Baskin.

GUESTS PRESENT: Sandra Breed, Ann Kent, Sarah Potter, Carolyn Bowman, Judy Worm, Don Mitchell, Scott Mitchell, Dottie Mitchell, Barbara Stevens, Mary Claire Beard, L.E. Grumboski and Kathryn Muller.

MINUTES: Motion was made and seconded to approve the January 2019 Minutes, motion passed

TREASURE'S REPORT: John Beard reported a balance of \$1,507.47 Motion was made and seconded to except the treasure's report motion carried. Treasurer John Beard has closed the accounts at Comerica Bank. Due to banking regulations members present found it prudent to re-charter PineyWoods #51 in order obtain a new tax number. After discussion the motions were made and seconded to approve the following resolutions. 1. Motion to amend 19 January 2019 resolution, 2. Motion Regarding EIN, 3. Motion Regarding EIN Name and 4. Motion Regarding Assumed Name. Motions were approved unanimously. Resolutions were prepared then signed by Secretary Kermit Breed

1. Amended Resolution of 19 January 2019

To whom it May Concern:

The PineyWoods Chapter #51 of the Texas Society Sons of the American Revolution (TXSSAR) did unanimously authorize Treasurer John Beard to establish a Checking Account and or a Certificate of Deposit account with a bank to be styled appropriately. In addition, the Chapter authorized the following signatories on this new account:

James Pinkerton – Chapter President
Larry Stevens – Authorized Signer
John Beard – Chapter Treasurer
B. Ray Mize – Authorized Signer

I do hereby certify that the above information has been properly authorized under the by-laws of the PineyWoods Chapter #51 of the Texas Society Sons of the American Revolution (TXSSAR) at its meeting held this 19th day of January 2019 and as amended on February 16, 2019.

2. Motion Regarding EIN

[The Members of National Society of the Sons of the American Revolution PineyWoods Chapter #51 of the](#)

(Continued on page 5)

NOTICE

PineyWoods Chapter meets the 3rd Saturday of each month except in June and July at Jimmy G's Cajun Seafood Restaurant. All meeting are Member and Guest unless otherwise published. PineyWoods as a set menu of several specialties at a cost of \$25 per meal.

MINUTES'

Texas Society Sons of the American Revolution to hereby request that its officers apply for a new Tax Identification number with the Internal Revenue Service styled “ National Society of the Sons of the American Revolution PineyWoods Chapter No. 51 of the Texas Society of the Sons of the American Revolution” conforming with the Chapter’s name on its original Charter from the National Society of the Sons of the American Revolution dated November 14, 1993.

3. Motion Regarding EIN Name

The Members of National Society of the Sons of the American Revolution PineyWoods Chapter #51 of the Texas Society Sons of the American Revolution to hereby request that its officers cause its name to be changed on its Tax Identification Number with the Internal Revenue Service from “National Society of the Sons of the American Revolution PineyWoods” to “ National Society of the Sons of the American Revolution PineyWoods Chapter No. 51 of the Texas Society of the Sons of the American Revolution” as to conform with the Chapter’s name on its original Charter from the National Society of the Sons of the American Revolution dated November 14, 1993.

4. Motion Regarding Assumed Name

The Members of National Society of the Sons of the American Revolution PineyWoods Chapter #51 of the Texas Society Sons of the American Revolution to hereby request that its officers create an assumed name of “National Society of the Sons of the American Revolution PineyWoods”. Legal documents would refer to the Chapter as “PineyWoods Chapter No. 51, Texas Society of the Sons of the American Revolution doing business as National Society of the Sons of the American Revolution PineyWoods”. This certificate to be filed with the Harris County Clerk with a 10-year life.

Registrars Reports: Kermit Breed is working on applications for Jarad Coco, Ben Sapp, Stephen McIntyre, Trey Davis, and Dale Blake. Larry Stevens has three applications logged in in Louisville for Michael Anderson, Michael Stuart, and a Memorial for Richard Stuart. One Supplemental has been sent for Larry Stevens and he has one ready. Stevens has one application in progress for Scott De Masi waiting for a DC. Two Supplementals and one Memorial have been sent to Louisville by Coastal Registrar Jack Muggli for John Beard.

Youth Activities: PineyWoods sponsored two first place winners contest winners; Katherine Hill the Essay Contest and Haley Harmon the Oration Contest. Both will be invited to the 124th Texas Convention in Austin April 5-7, 2019. Hill place first in the Texas Essay Contest and will receive a \$2500 Scholarship. She will be competing in the NSSAR Essay Contest. Harmon is invited to the Texas State meeting to compete in the State Oration Contest. Should she win, she would be competing in the Nation Oration Contest in California.

Old Business; The following members were elected to serve a PineyWoods #51 Officers from March 2019 to 2021.

President Kermit Breed; 1st VP Buddy Inman; 2nd VP Jim Pinkerton: Secretary Bernie Kent, Treasurer B. Ray Mize; Chaplain Alan Bowman: Chancellor Brent Monteleone; Parliamentarian David Cook; Historian; Abe Abdmoulaie; Sargent-at-Arms Ben Baskins; Registrars (1) Joe Potter and (2) Larry Stevens Genealogists Kim Morton.

Non-elected positions: Web-master Ray Cox; Newsletter Larry Stevens.

INSTALLATION OF NEW OFFICERS: The new officers will be installed in the March 16, 2019 meeting.

GUEST SPEAKERS: Scott and Don Mitchell presented a great program about the Kingwood Fallen Heroes

(Continued on page 6)

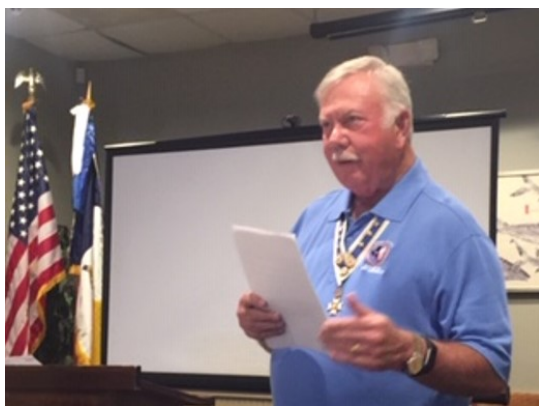
(Continued from page 5)

Golf Tournament to be held on Saturday, May 11, 2019, at the Clubs of Kingwood. This event will honor three Kingwood Fallen Heroes; SGT Brandon C. Bury, SGT William Meeuwsen, and Lance CPL Luke C. Yepsen. President Pinkerton presented Scott and Don Mitchell with a donation of \$150 for the Kingwood Fallen Heroes Organization and Certificates of Appreciation and Texas challenge Coins.

NEW MEMBERS AND AWARDS: Lawrence “Ski” Grumboski was awarded the Military Service Medal and the War Service Medal for his service to our country. Ski ran away from home at 16 and joined the Army but after three months he was sent home. At the age of 17, his parents signed for him to join the Navy. Ski served in Vietnam. If you served in the US Military, contact Bernie Kent mbkentjr@outlook.com, your DD-214 is required.

Benediction by Alan Bowman was followed by the SAR closing. President Jim Pinkerton adjourned the meeting at 3:00 PM.

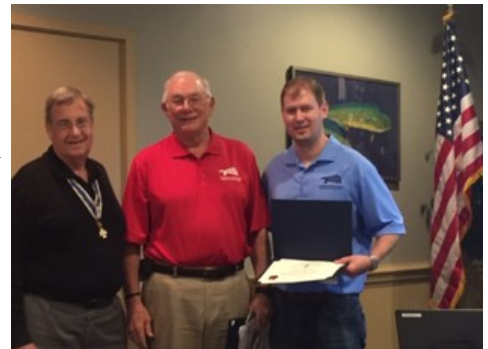
PineyWoods Chapter 51 Secretary—Kermit Breed



PineyWoods Chapter Activities

Treasurer John Beard briefs members of the trail and tribulations of moving our accounts to a different bank when the old accounts were not properly set up some time ago. The next week John did manage to get all issues resolved and we are now with Chase Bank. Congratulations to John! (left)

(Right) PineyWoods Member Abe Abdmoulaie and



President Jim Pinkerton introduced Don and Scott Mitchell who discussed a Charitable Program they developed to honor young men from Kingwood who died in the line of duty in the Near East; **Kingwood Fallen Heroes**. Their fund raiser is an Annual Golf Tournament at Kingwood Country Club. Proceeds go to scholarships and the a number of charities that work with not only our Veterans but their families as well. Often the families, the love ones, are forgotten, and have to go it alone. Helping fund these support groups does make a difference. Information on this great event can be found at , **“Seventh Kingwood Fallen Heroes Memorial Golf Tournament ’ May 11, 2019 “** This event will be a shotgun start at starting at 1:30 p.m.. More details and entry information is at the site. Sponsor donations are welcome.

Pictured (L-R) Back Table - John and Judy Worm, Mary Clare Beard, Sarah Potter, Dick Setser, David Cook, Front Table—John Thompson, Joe Potter, Brent Monteleone, Alan Bowman.



PineyWoods Chapter Activities



PineyWoods President and Past President Joe Potter presented the SAR/DAR Medal of Appreciation to Linda Abdmoulaie in recognition of her help with SAR New Members, at the Lady Washington (Kingwood) February 19th Chapter meeting. Linda worked with Joe Potter, Chapter Registrar on applications for her two sons and her grandson. She has been an active DAR member for a number of years. In 2018, Texas DAR members assisted in the preparation of more SAR Applications than any other State Society. Our increase in membership not only at state but our chapter attests to this. (Pictured), Jim Pinkerton, Linda, and Joe.

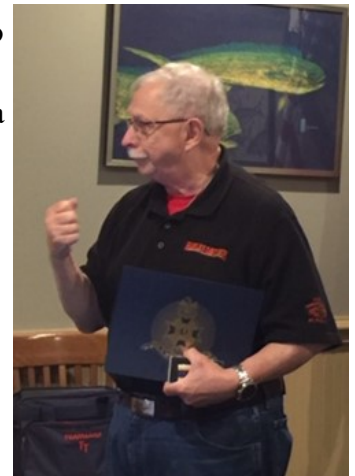


PineyWoods President Jim Pinkerton presented new member **Ski Grumboski** with two medals for Military Service. First, he was the Military Service Medal, and second the War Service Medal. Ski was in two different branches of service; the second, the US Navy took him to Vietnam. He was a crew member, Navigator/Gunner on an A3D Sky "Warrior as a part of the Heavy Attack Squad 13 and logged 69 heavy bombing missions over Vietnam. The A3D was replaced by the RA5C Vigilante, which did



no have the 3rd crew member, so Ski was assigned to work on the ABS Bombing Systems and Radar on the Flight deck as a trouble shooter.

The A3D was first used by the US Navy in 1956. It could carry Nuclear Weapons and was the heaviest carrier based aircraft. The A3D was retired in 1991. The Aircraft had a nickname, "All Three Dead". The three man crew had no injection seats. (Not to be confused with the USAF B66 Destroyer).



The War Service Medal was first authorized in 1899 for members who served in the Spanish-American War. It was subsequently authorized for members who served in WWI and WWII. Following WWII, the NSSAR Authorized a generic War Service Medal with specific periods indicated by bronze bars. Proof of Service is required to be awarded this Medal.



Special Note; USN lost 542 Aircraft in combat and 329 to operational problems lost in Vietnam. The USAF—1737 losses in combat and 514 operational. Combat losses were from surface to air missiles and MiG Interceptor Jet Aircraft.

Chapter and State News and National Events

Chapter Coupon Project

"Attention all members who are unable to make a physical appearance at our monthly chapter meetings. You can help the chapter by assisting with our *Coupons for Overseas Military Families program*. All that is required is for you to collect the manufacturer's coupons that appear in the newspapers, and mail them to: **John Worm at 2130 Lexford Lane, Houston, Tx 77080**. We would like to suggest you clip them out before sending. This will save the gathers and shippers some amount of effort and provide you the further benefit of reducing your postage costs. In case you missed our previous report, last year we provided military families stationed overseas with coupons to effect savings of approximately \$138,000. That being said, we can sure use any additional help you can provide the Piney Woods Chapter to further this program."

TEXAS ROOTS of OUR Members and FAMILY

As Members of lineage societies, family historians and genealogist, we celebrate the lives of all of our Ancestors. Saturday, March 9th, **Blanket, Texas** (Located between Comanche and Brownwood and about 300 miles from Kingwood): **Joe and Sarah Potter** placed Citizen of Texas Bronze Markers at the grace site of Sarah's Texas Ancestor **George Washington Sides and his son John Henry Day Sides** at Rock Church Cemetery. Sarah MC'd a Memorial Program with an unveiling of the plaques at the end followed by a Black Powder Musket Salute by PineyWoods' Larry Stevens, also a member of the San Jacinto Chapter of the sons of the Republic of Texas and the Texas Army. Daughters of the Republic of Texas, DRT, President General Barbara Stevens talked briefly about marking the graves of Texas Revolutionary Heroes and Citizens here in Texas. About 100 descendants and friends gathered for the event on a sunny breezy day.



Texas State Convention

The 124th Annual Texas Society SAR Conference April 5-7, 2019 is at the Omni Hotel Austin South Park located at 4140 Governors Row, Austin. The Hotel Reservation Link can be found on the Texas Website; also on the site are the registration forms, both on-line and a PDF that can be printed and mailed. **www.txssar.org**

The conference program is not yet on line; However, conference events begin for members at 8:00 am Friday morning, April 5th with State Committee Meetings. Historically, the different committees will meet until about 3:00 pm. Committees are the lifeline of our organization and the more members that attend our state meetings and participate, the better we perform as an organization. With only two state meetings a year, it is very important that our Chapters and our Districts meet in support of our programs; Youth, Members, and Veterans. Hope you can join those of us from PineyWoods, with our spouses, that will be attending.

Annual Conference on the American Revolution June 14—16, 2019 Sheraton University City, 3549 Chestnut Street, Philadelphia, Pennsylvania

This years subject is; Women Waging War in the American Revolution will be chair by Holly A. Meyer Associate Professor of History at Doquesne University and 2019 SAR Distinguished Scholar.

The Hotel Block may be sold out however, there are nearby Hotels in the Historic District. The Registration Form can be found on the NSSAR Website. This is a one- of-a-kind conference where budding PHD's and Professors present short papers on topics they are researching or preparing papers or books. Q and A sessions follow each of the presentation. The Papers will be published in a book within 2-3 years after this event. A record of sixteen papers will be presented this year. Our SAR Host and past NSSAR President General, and our friend, is Historian Joseph "Joe" Dooley. Jim and Dianne Jones and Larry and Barbara Stevens plan to attend. Wheat a great excuse to visit Historic Philadelphia!

“Olde Phrases !”

Lock, Stock, and Barrel

The British Army Brown Bess 1722

John Worm sent a short note from Captain Jack’s Almanac and thought we would enjoy reading it; so, I have retyped as follows’

“A little note and fact from Captain Jack’s Almanac:

As most everyone knows these days’ we commonly use the phrase “lock, stock, and barrel” as a figure pf speech to emphasize the totality of a subject at hand. As a matter of historical fact, your revolt minded ancestor might have been among the fist to coin the phrase during the days of Ye Olde Revolutionary War.

The most popular weapon of choice back then was the musket, which was made in three parts. These included a flintlock firing mechanism that produced the power to get the musket ball under-way, the barrel through which the musket ball sped on its way in the general direction of its intended target, and the wooden stock that held everything together in proper order.

So logically, if your ancestor had all three components, he possessed everything; lock, stock, and barrel. If he managed to lose the assembly somehow, everything was gone; lock, stock, and barrel.

You’re welcome,

Cap’n Jack”

(Cap’n Jack’s Almanac Puget Sound is published each year for the Sailor and can be purchased on line—but it’s subject is tides and currents and other nautical data)



Indeed, Lock, Stock and Barrel did mean “The Whole Thing” and the first known mention of the phrase was in a paper by Sir Walter Scott in 1718 England. However, it is felt the phrase was in common use much earlier. Research does show that the origin is attributed to gun manufacture and more specially the “Brown Bess”; more correctly the *British Short Land Pattern musket*.

Musket and Rifle making was a cottage industry where each



“Olde Phrases” –cont.

was made individually for patrons. Each was unique, one of a kind, and even included its own “ball mold” for making shot that fit the barrel. Some were smooth bore, and some were rifled where a groove was made inside the length of the barrel with a clockwise turn.

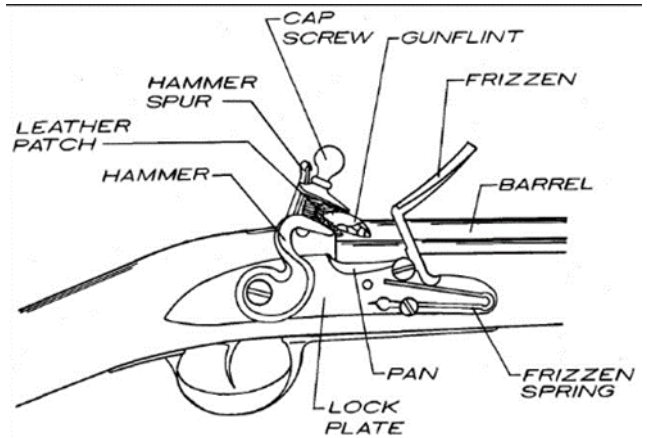
The manufacture of the Brown Bess revolutionized the weapon industry and allowed thousands to be assembled, sold, and distributed to the British Army beginning in 1722 and was not replaced until 1838 by Percussion Cap.

All parts were made to be identical; springs, frissens, screws, that made up the



“lock”, the “smooth” barrels, the Oak wood stocks. The first metal parts were of iron but changed to brass by 1745. The wooden stocks were made of Oak. The parts were still made cottage industry style for the most part, as before, and when parts were completed, they were taken to central points and assembled, namely to Royal Armory. ***This accomplished two things, one, even though the citizens of England had the right to bear arms (reaffirmed 1689 and noted as British Common Law 1707; banned in Scotland 1716 and 1725), it was extremely difficult for a citizen to obtain a “Brown Bess”, and second, each soldier now carried the same weapon.***

All the soldiers in the British Army and the Marines on their Warships, all were issued the Brown Bess Musket. The musket ball used in all was .72 caliber, the lock was the same as was the barrel and stock. If something broke, it could be repaired just by replacing the broken part. The first model came with a wooden ram rod, which could be broken, rendering the musket useless. The 2nd Model came with a steel ramrod and only a couple of other improvements. The Marines kept the wooden ramrod due to the salt air and rust.



The Brown Bess was meant to be a military weapon. The only use in hunting would be as a shotgun since the smooth bore and the round shot caused very inaccurate “shot flight”.

When completed and ready to be issued, it was referred to as ***“Lock, Stock, and Barrel”***. LGS